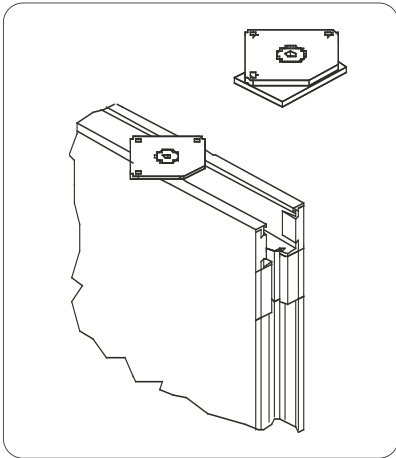


MBA mila-wall® System in combination with Arakawa adjustable Grippers® and stainless steel aircraft cable

MBA Design & Display Products Corp. utilizes the Arakawa Hanging Systems cable and adjustable grippers for the mila-wall® (series 100 and 160) system.

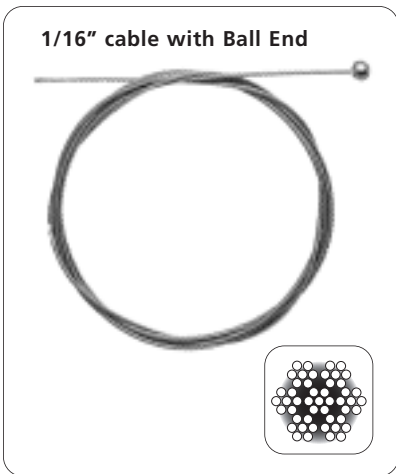
mila-wall® Cable Hanging Connector with holes

- Locks into "U-Profile" on module, single or double side use.
- Color: Clear Anodized Aluminum
- Part No. 8.100.062 (compatible with Series 100, mila-wall®)
- Part No. 8.160.062 (compatible with Series 160, mila-wall®)



Cable

Arakawa cable is a 7 x 7 weave stainless steel cable. The mila-wall® Cable Hanging Connector, shown below, utilizes a 1/16" diameter cable with Ball End. This 1/16" cable supports a maximum of 40 lbs. to 65 lbs. depending on the gripper chosen.



◦ Product Information

cable size

1/16" 1.5 - 2.0 mm

maximum weight

- AF3PSS: 65 lbs. 30 kg
- BS20RPS: 65 lbs. 30 kg
- C20: 40 lbs. 18 kg

function

midway: hook

installation instructions

Attach to D-ring or wire on back of picture frame (or other ring).



Arakawa Hanging Systems

2505 SE 11th Avenue, Suite 122
Portland, Oregon 97202
phone: 503.236.0440
fax: 503.236.0427
toll free: 888.272.5292

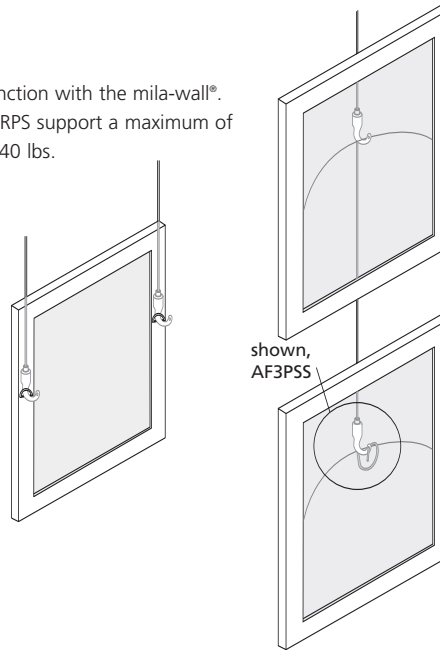
www.arakawagrip.com



Copyright © 2006 Arakawa & Co., Ltd. All rights reserved.
Arakawa products are covered by U.S. and foreign patents, issued and pending. Specification and price change privileges reserved.

Grippers®

Arakawa recommends three popular grippers to work in conjunction with the mila-wall®. The AF3PSS, BS20RPS, and the C20. The AF3PSS and the BS20RPS support a maximum of 65 lbs. with the 1/16" cable, the C20 supports a maximum of 40 lbs.



◦ AF3PSS

The AF3PSS is one of our most popular hooks for hanging framed art and posters. Has a simple clip that acts like a latch, effectively closing the otherwise open hook. Excess cable can be fed through the small hole in the tip of the hook, so that it does not protrude below the displayed art. Excellent in seismically active areas. Stainless Steel.

Use in conjunction with the mila-wall using a 1/16" cable, holding a maximum of 65 lbs.



◦ BS20RPS

BS20RPS (R-Round, P-closure, S-safety cap) provides a hook with a carabiner-like closure for more secure installations (especially in seismically active areas) and a safety cap to prevent unintentional adjustment.

Use in conjunction with the mila-wall using a 1/16" cable, holding a maximum of 65 lbs.



◦ C20

The C20 is an entry level adjustable art hook, well suited for quickly hanging and adjusting the level of already hung art.

Use in conjunction with the mila-wall using a 1/16" cable, holding a maximum of 40 lbs.

